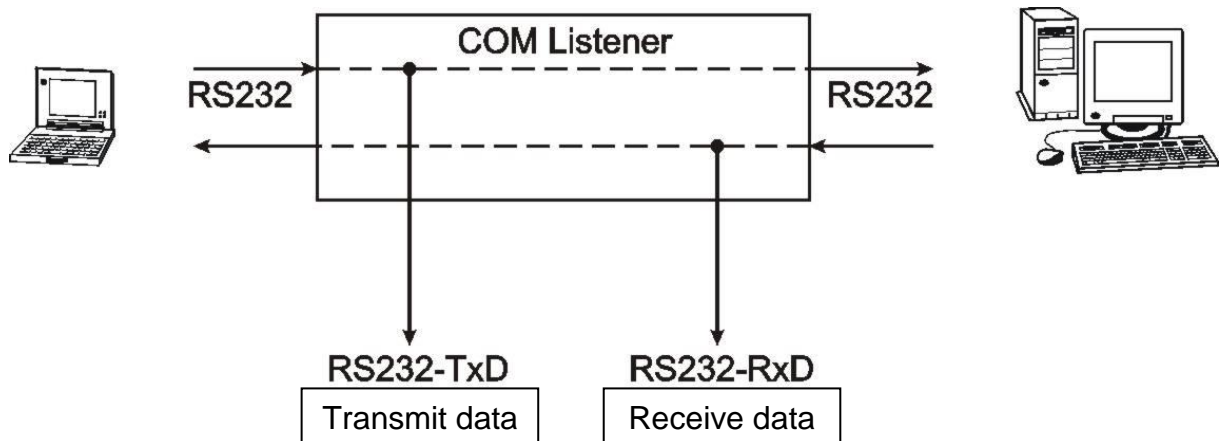


## General



The COM Listener is used to test a RS232 connection between two devices (e.g. two PC's): transparent check for TxD and RxD lines.

## Function



The COM Listener use three segments / parts:

### 1. Input\*:

- ▶ K1: terminals TxD, RxD, GND
- ▶ K2: RJ-45 port
- ▶ K7: SUB-D (male) plug 9 pins

### 2. Output\*:

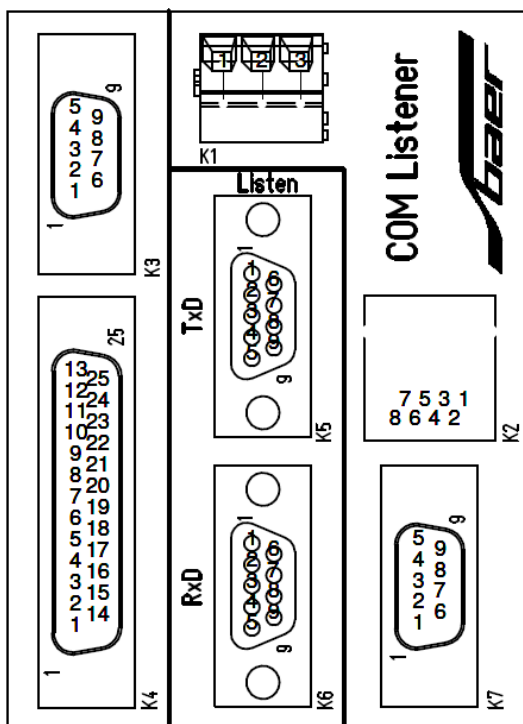
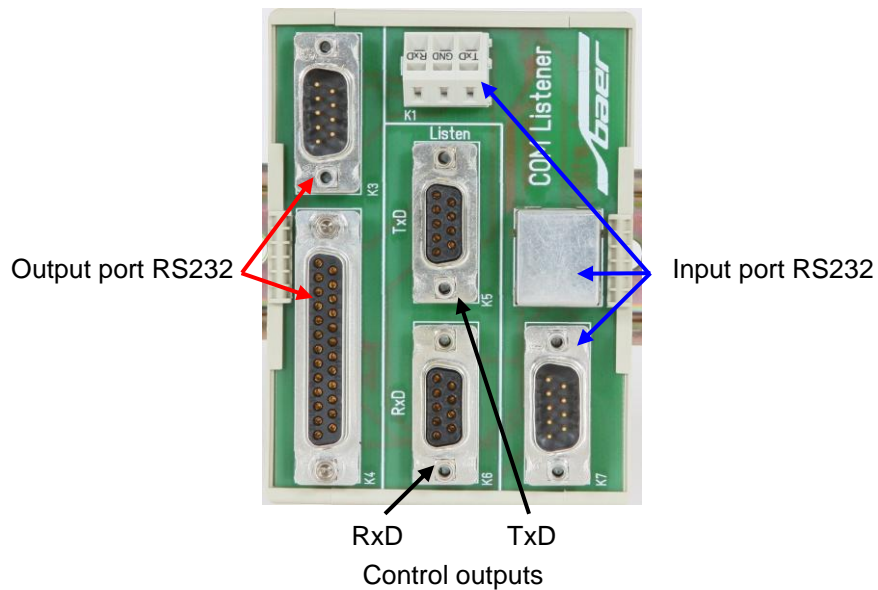
- ▶ K3: SUB-D (male) plug 9 pins
- ▶ K4: SUB-D (female) jack 25 pins

### 3. Control outputs:

- ▶ K5: SUB-D (female) jack 9 pins for TxD line (transmit data)
- ▶ K6: SUB-D (female) jack 9 pins for RxD line (receive data)

\* use only one input port (K1 or K2 or K7) and one output port (K3 or K4)!

## Pin allocation



	GND	TxD	RxD
K1	2	3	1
K2	6	4	5
K3	5	3	2
K4	7	3	2
K5	5	2	-
K6	5	-	2
K7	5	2	3

## Technical Data

Housing:	top-hat rail installation
Degree of protection:	IP10
Dimensions:	B = 70 mm H = 96 mm T = 28 mm
Display:	none
Extend of delivery:	COM Listener
Accessories:	RS232 connection cable