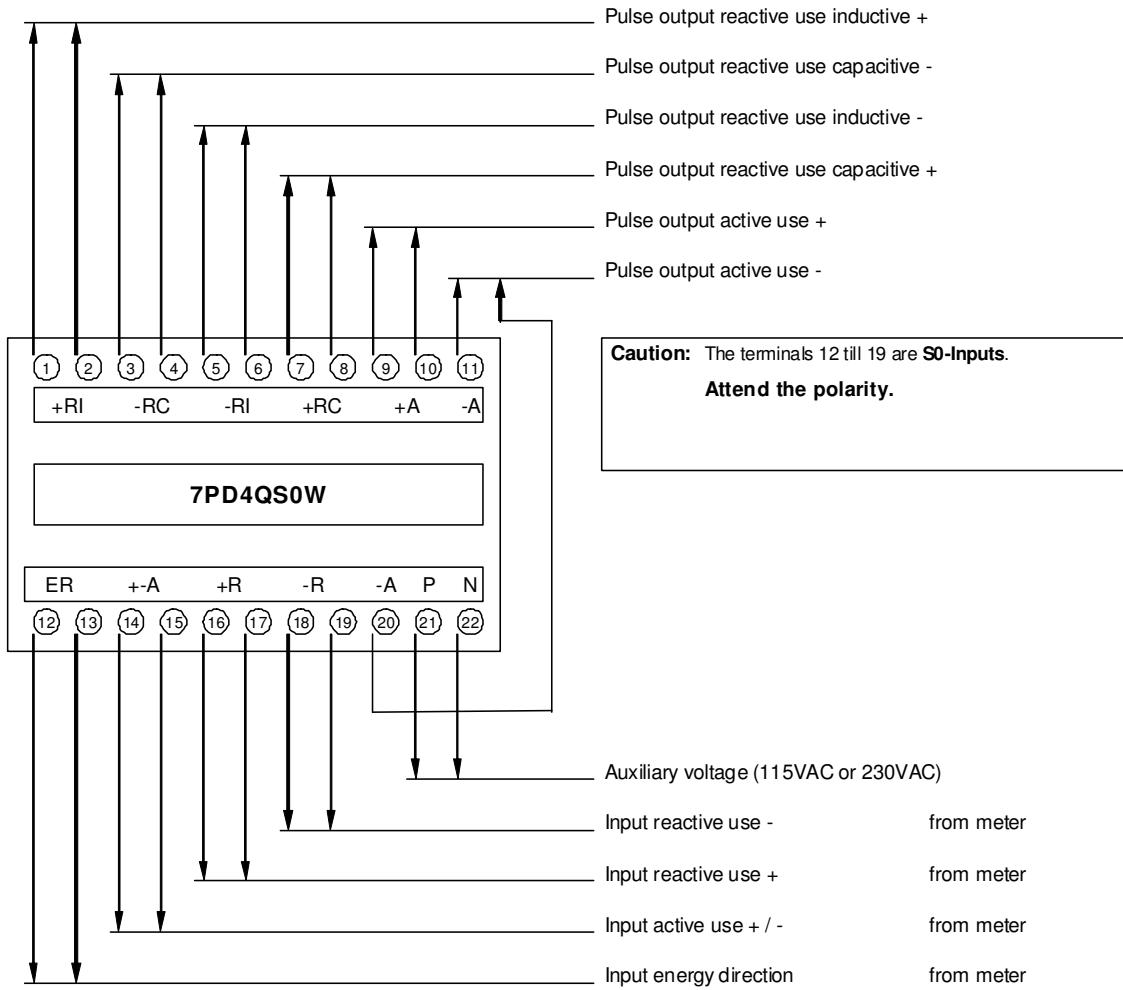
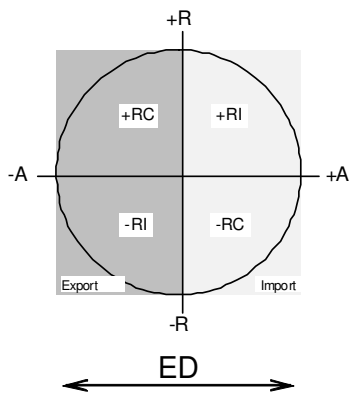


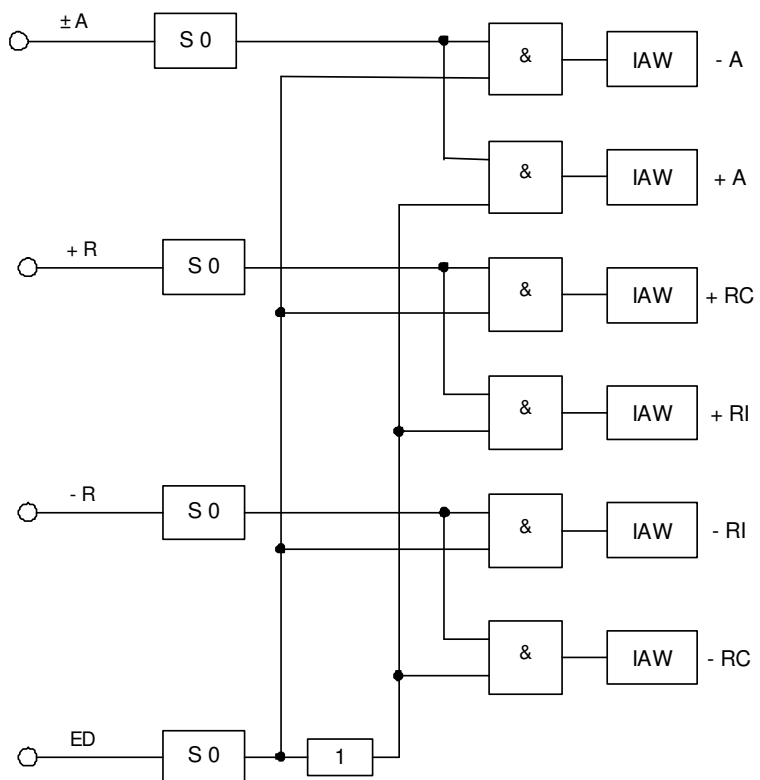
Schematic Drawing



Block Diagram



- Inputs:**
- $\pm A$ Active use + / -
 - +R Reactive use +
 - R Reactive use -
 - ED Energy direction
- Outputs:**
- +RI Reactive use inductive +
 - RC Reactive use capacitive -
 - +A Active use +
 - RI Reactive use inductive -
 - +RC Reactive use capacitive +
 - A Active use -



E101203808111
Order No.: #06735

7PD4QS0W

Data Sheet



Bär Industrie-Elektronik GmbH · Rathsbergstr. 23 · D-90411 Nürnberg · Phone +490911970590 · Fax +49 911 9705950

Technical Data

Housing:	Isolating material for top-hat rail installation (wall montage optional)
Dimensions:	See the dimensions drawing
Inputs:	4 S0 (according to DIN 43864)
Outputs:	Electronic maker contacts, 265VAC/DC max., 100mA max.
Supply voltage:	115VAC or 230VAC, 50Hz
Display:	Pulse and function display using 11 LED's

Dimensions

